

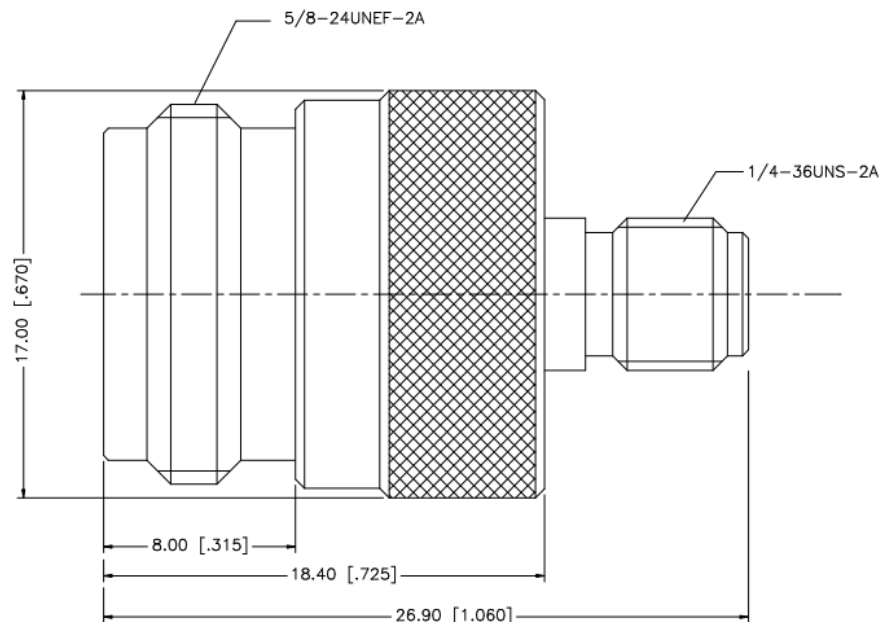
Description

Adapters have a wide range of adaptors in various configurations like within series or between series, straight or angled designs and some with panel mount features. They are classified according its typical intended applications of which each require its specific properties.

Adapter, N Jack to SMA Jack

PART No: VSW-AD-242115-S

Brand	Amphenol
Orientation	Straight
Impedance (Ohms)	50
Adapter Side 1	N-Type
Side 1 Gender	Jack
Adapter Side 2	SMA
Side 2 Gender	Jack
Body Finish	Nickel
Body Material	Brass
Contact Finish	Gold
Contact Material	Phosphor Bronze
Insulator Material	PTFE
Max Frequency (GHz)	11
Min. Temp. (Celsius)	-65
Max. Temp. (Celsius)	165
Weight (Grams)	23.78



VINSURWAVES

Address: No 07, Muninanjareddy building, 1st Main, Thirupalaya(Near Venkateshwara Temple), Bommasandra Industrial Area, (Near Electroncity), Bangalore-560099, INDIA, Phone: 080-28520115, Mob: +91- 9886991616, E-mail: info@vinsurwaves.com | Website: www.vinsurwaves.com.